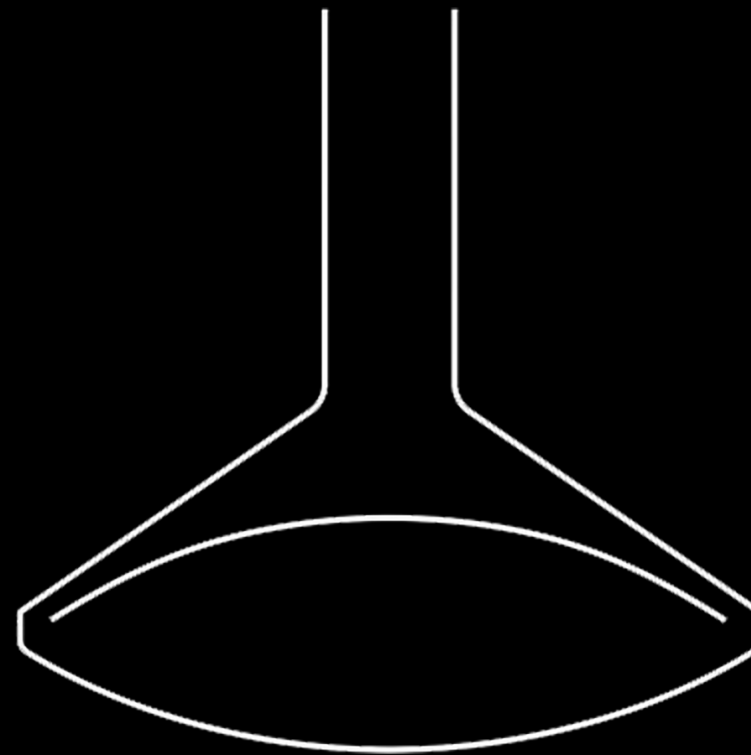


# VITA | Fireplaces

Suspended Wood Burning collection



CF + D | custom fireplace design

[www.customfireplacedesign.com](http://www.customfireplacedesign.com)

Mar 15, 2022



\*The image shown here is for design purpose only

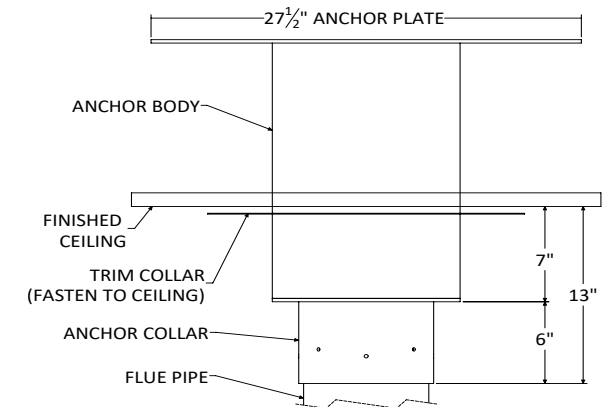


The fireplace has been tested and certified to meet the standards of UL 737- Standard for Fireplace Stoves. & CAN/ULC -S610 - Standard for Factory-Built Fireplace Systems. Certified Under – ICC ES PMG-1574

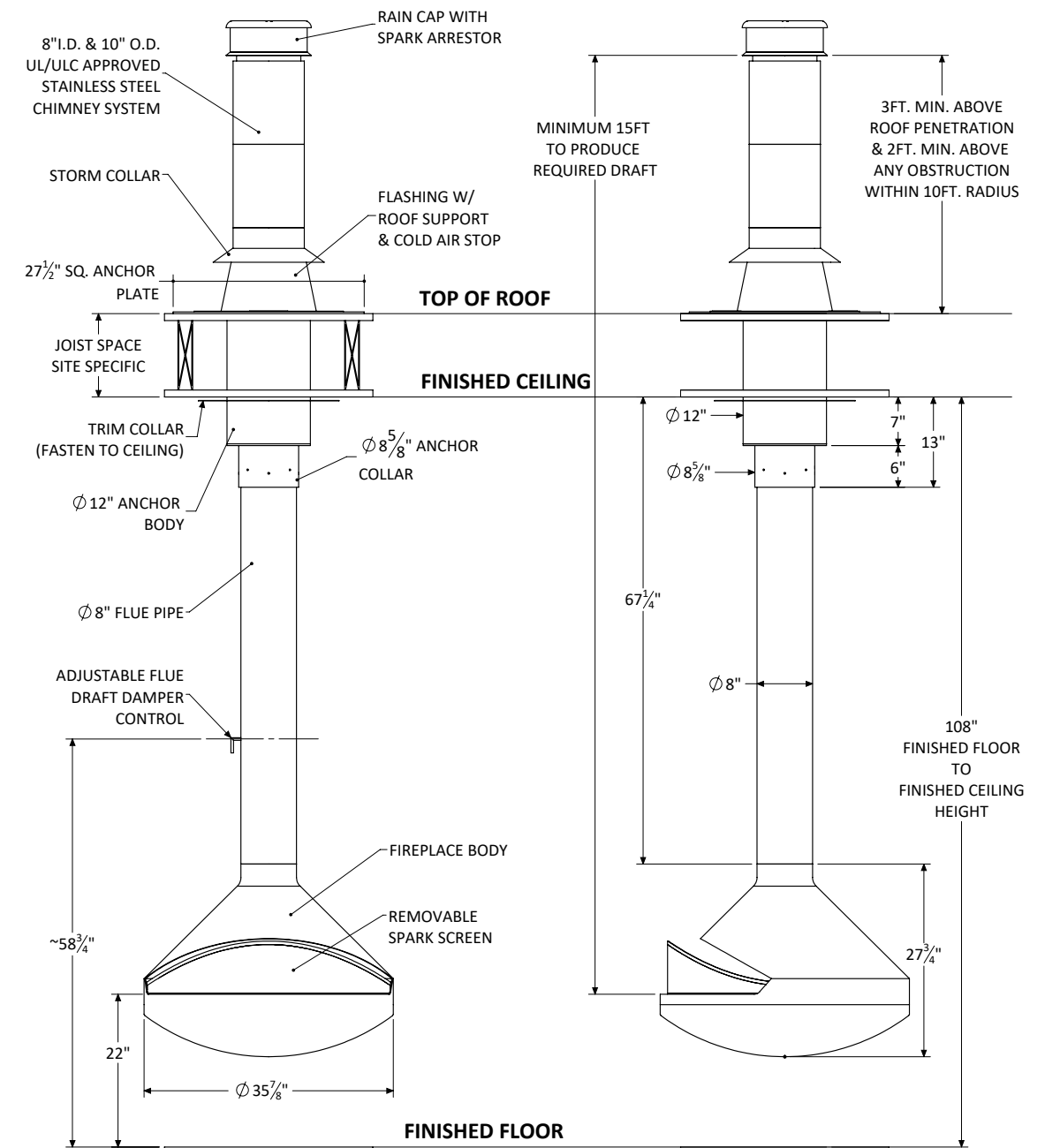
- For use with Solid wood fuel only.
- UL/ULC Approved Stainless Steel Chimney System
- All Standard fireplaces are painted in a High heat factory matte black finish.
- All dimensions are in inches.
- Exact measurements may vary  $\pm 1/4"$ .
- Custom integral grate assembly.
- Custom removable spark protection screen.
- Adjustable flue draft damper control.
- The height of the chimney vent must extend a minimum of 3 ft. above the roof exit & a minimum of 2ft. above any obstruction within 10ft. radius.
- A minimum of 15ft. from fireplace opening to the top of chimney is required for stronger drafts.

- Optional decorative chimney cover available at an add'l cost.
  - Custom anchor options available at an add'l cost.
- CLEARANCE TO COMBUSTIBLES**
1. A minimum of 36" from the combustible materials and/or walls around the fireplace open side and 18" around closed side is required. 36" all around if a rotation device is used.
  2. 2" around the chimney chimney system & 18" around flue pipe is required
  3. A minimum of 18" of non-combustible floor material from the fireplace opening and 8" around the rest of the fireplace close side including the portion underneath is required.
  4. The bottom lip of the fireplace opening shall be at least 22" from the floor.

Standard 9ft. Ceiling Application approx. weights	
Flat Anchor	85 lbs.
Flue Pipe	60 lbs.
Fireplace Body	165 lbs.
<b>Total Standard Fireplace</b>	<b>310 lbs.</b>



STANDARD FLAT ANCHOR



Shown with standard 9 ft. ceiling application and flat anchor option.



\*The image shown here is for design purpose only



The fireplace has been tested and certified to meet the standards of UL 737- Standard for Fireplace Stoves. & CAN/ULC -S610 - Standard for Factory-Built Fireplace Systems. Certified Under – ICC ES PMG-1574

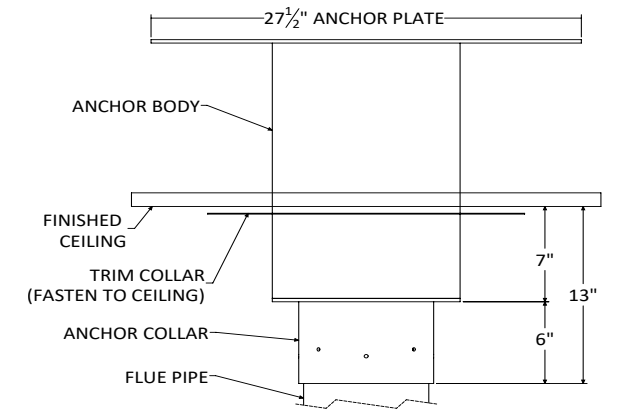
- For use with Solid wood fuel only.
- UL/ULC Approved Stainless Steel Chimney System
- All Standard fireplaces are painted in a High heat factory matte black finish.
- All dimensions are in inches.
- Exact measurements may vary  $\pm 1/4"$ .
- Custom integral grate assembly.
- Custom removable spark protection screen.
- Adjustable flue draft damper control.
- The height of the chimney vent must extend a minimum of 3 ft. above the roof exit & a minimum of 2ft. above any obstruction within 10ft. radius.
- A minimum of 15ft. from fireplace opening to the top of chimney is required for stronger drafts.

- Optional decorative chimney cover available at an add'l cost.
- Custom anchor options available at an add'l cost.

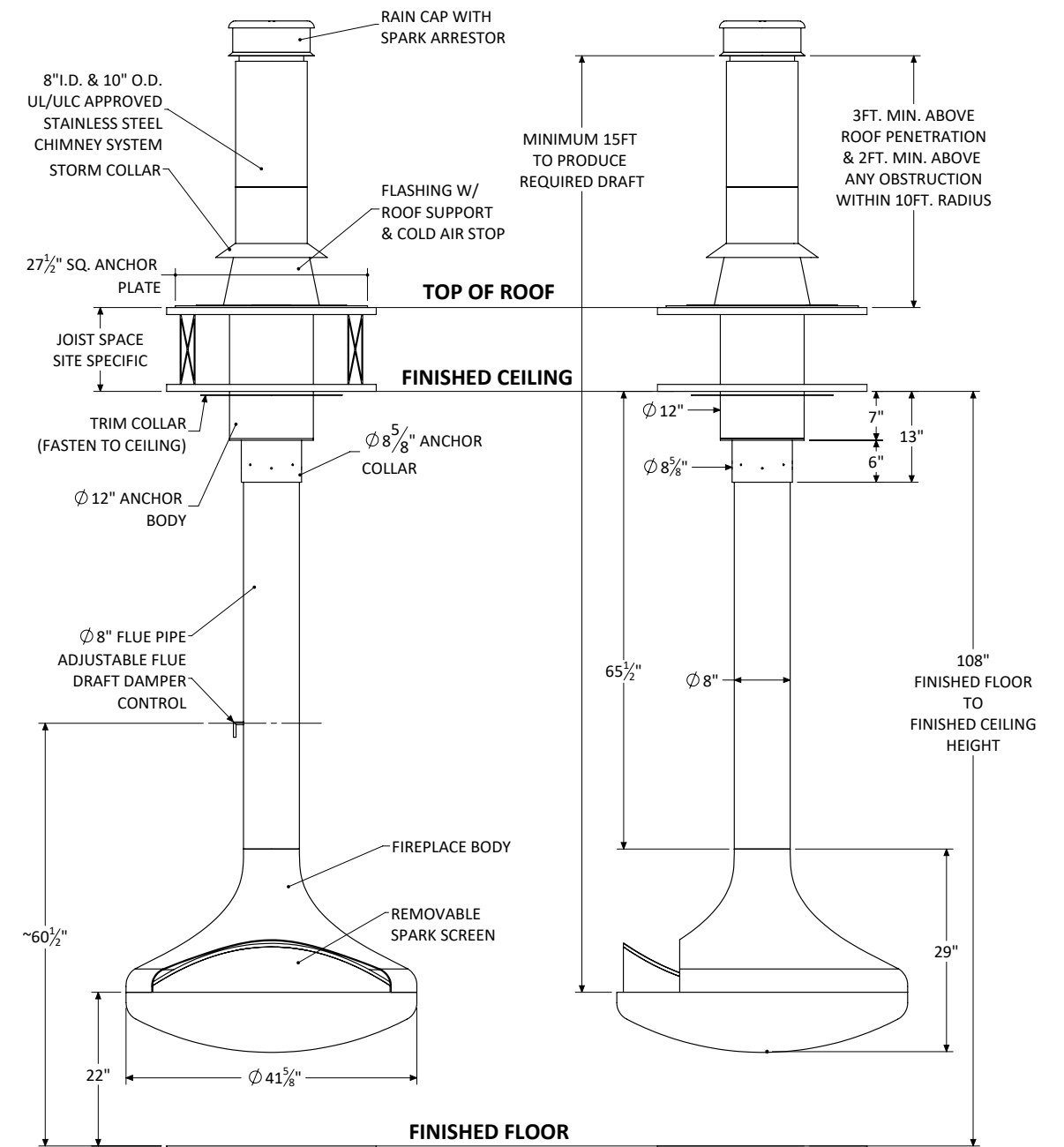
### CLEARANCE TO COMBUSTIBLES

1. A minimum of 36" from the combustible materials and/or walls around the fireplace open side and 18" around closed side is required. 36" all around if a rotation device is used.
2. 2" around the chimney chimney system & 18" around flue pipe is required
3. A minimum of 18" of non-combustible floor material from the fireplace opening and 8" around the rest of the fireplace close side including the portion underneath is required.
4. The bottom lip of the fireplace opening shall be at least 22" from the floor.

Standard 9ft. Ceiling Application approx. weights	
Flat Anchor	85 lbs.
Flue Pipe	60 lbs.
Fireplace Body	200 lbs.
<b>Total Standard Fireplace</b>	<b>345 lbs.</b>



STANDARD FLAT ANCHOR



Shown with standard 9 ft. ceiling application and flat anchor option.



\*The image shown here is for design purpose only

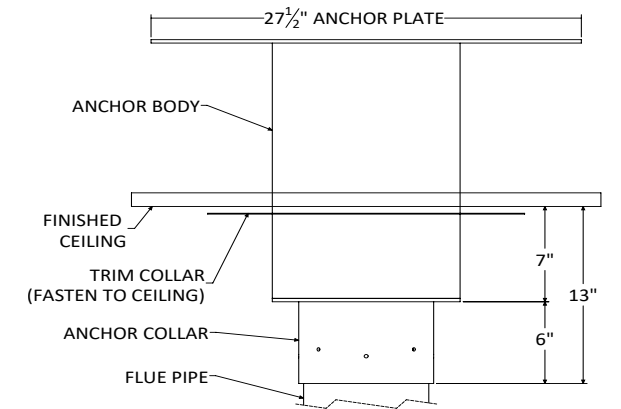


The fireplace has been tested and certified to meet the standards of UL 737- Standard for Fireplace Stoves. & CAN/ULC -S610 - Standard for Factory-Built Fireplace Systems. Certified Under – ICC ES PMG-1574

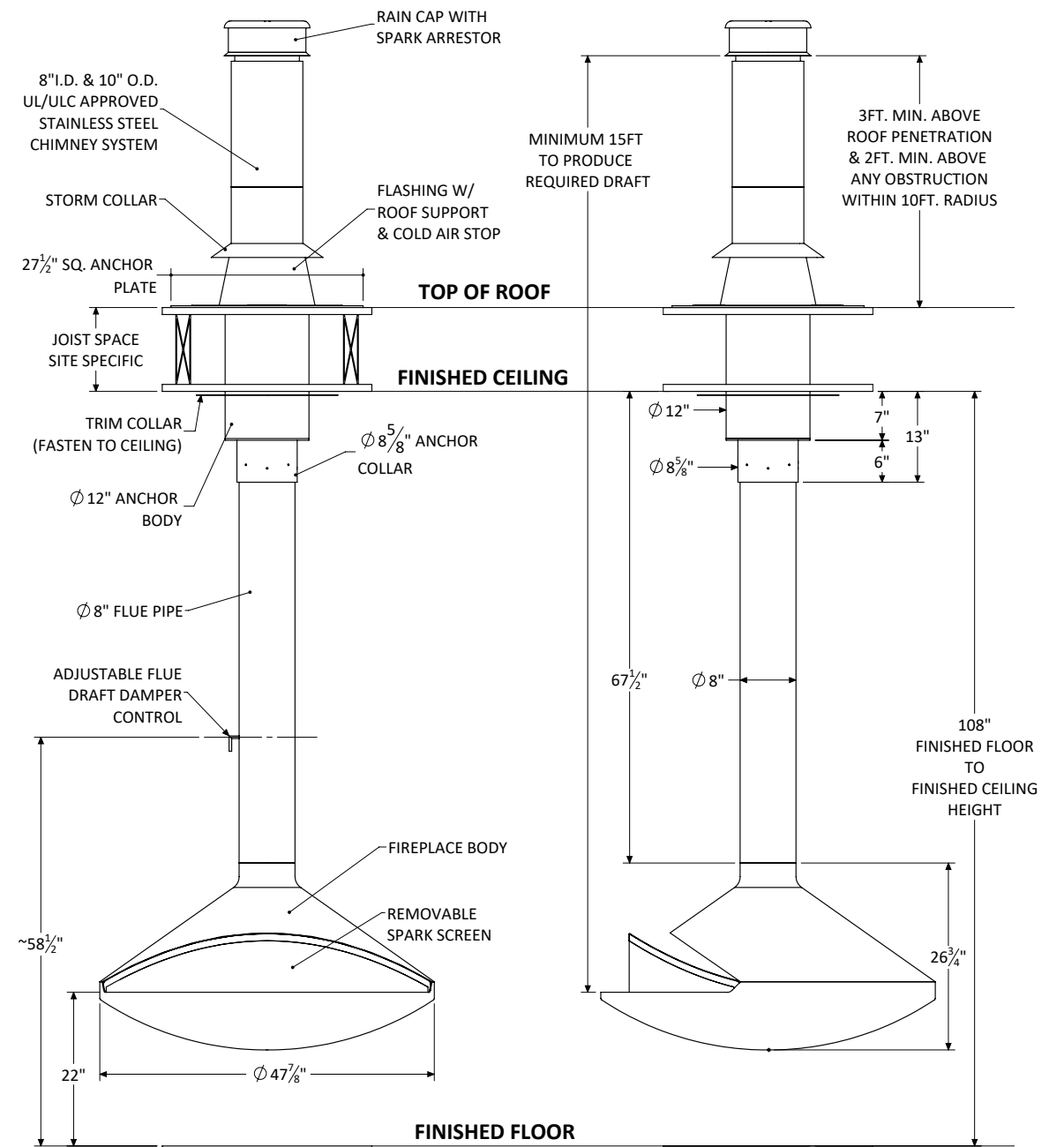
- For use with Solid wood fuel only.
- UL/ULC Approved Stainless Steel Chimney System
- All Standard fireplaces are painted in a High heat factory matte black finish.
- All dimensions are in inches.
- Exact measurements may vary  $\pm 1/4"$ .
- Custom integral grate assembly.
- Custom removable spark protection screen.
- Adjustable flue draft damper control.
- The height of the chimney vent must extend a minimum of 3 ft. above the roof exit & a minimum of 2ft. above any obstruction within 10ft. radius.
- A minimum of 15ft. from fireplace opening to the top of chimney is required for stronger drafts.

- Optional decorative chimney cover available at an add'l cost.
  - Custom anchor options available at an add'l cost.
- CLEARANCE TO COMBUSTIBLES**
1. A minimum of 36" from the combustible materials and/or walls around the fireplace open side and 18" around closed side is required. 36" all around if a rotation device is used.
  2. 2" around the chimney chimney system & 18" around flue pipe is required
  3. A minimum of 18" of non-combustible floor material from the fireplace opening and 8" around the rest of the fireplace close side including the portion underneath is required.
  4. The bottom lip of the fireplace opening shall be at least 22" from the floor.

Standard 9ft. Ceiling Application approx. weights	
Flat Anchor	85 lbs.
Flue Pipe	60 lbs.
Fireplace Body	265 lbs.
<b>Total Standard Fireplace</b>	<b>410 lbs.</b>



STANDARD FLAT ANCHOR



Shown with standard 9 ft. ceiling application and flat anchor option.



\*The image shown here is for design purpose only



The fireplace has been tested and certified to meet the standards of UL 737- Standard for Fireplace Stoves. & CAN/ULC -S610 - Standard for Factory-Built Fireplace Systems. Certified Under – ICC ES PMG-1574

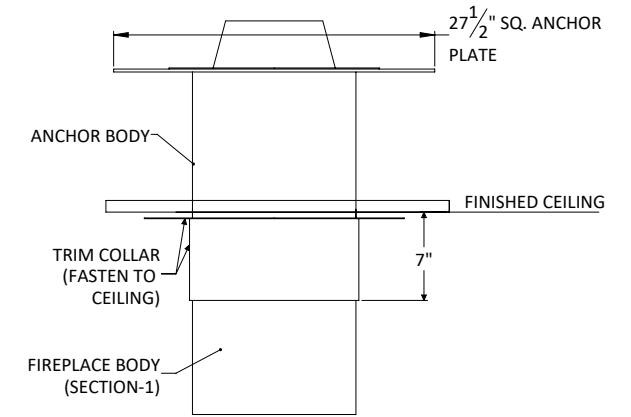
- For use with Solid wood fuel only.
- UL/ULC Approved Stainless Steel Chimney System
- All Standard fireplaces are painted in a High heat factory matte black finish.
- All dimensions are in inches.
- Exact measurements may vary  $\pm 1/4"$ .
- Custom integral grate assembly.
- Custom removable spark protection screen.
- Adjustable flue draft damper control.
- The height of the chimney vent must extend a minimum of 3 ft. above the roof exit & a minimum of 2ft. above any obstruction within 10ft. radius.
- A minimum of 15ft. from fireplace opening to the top of chimney is required for stronger drafts.

- Optional decorative chimney cover available at an add'l cost.
- Custom anchor options available at an add'l cost.

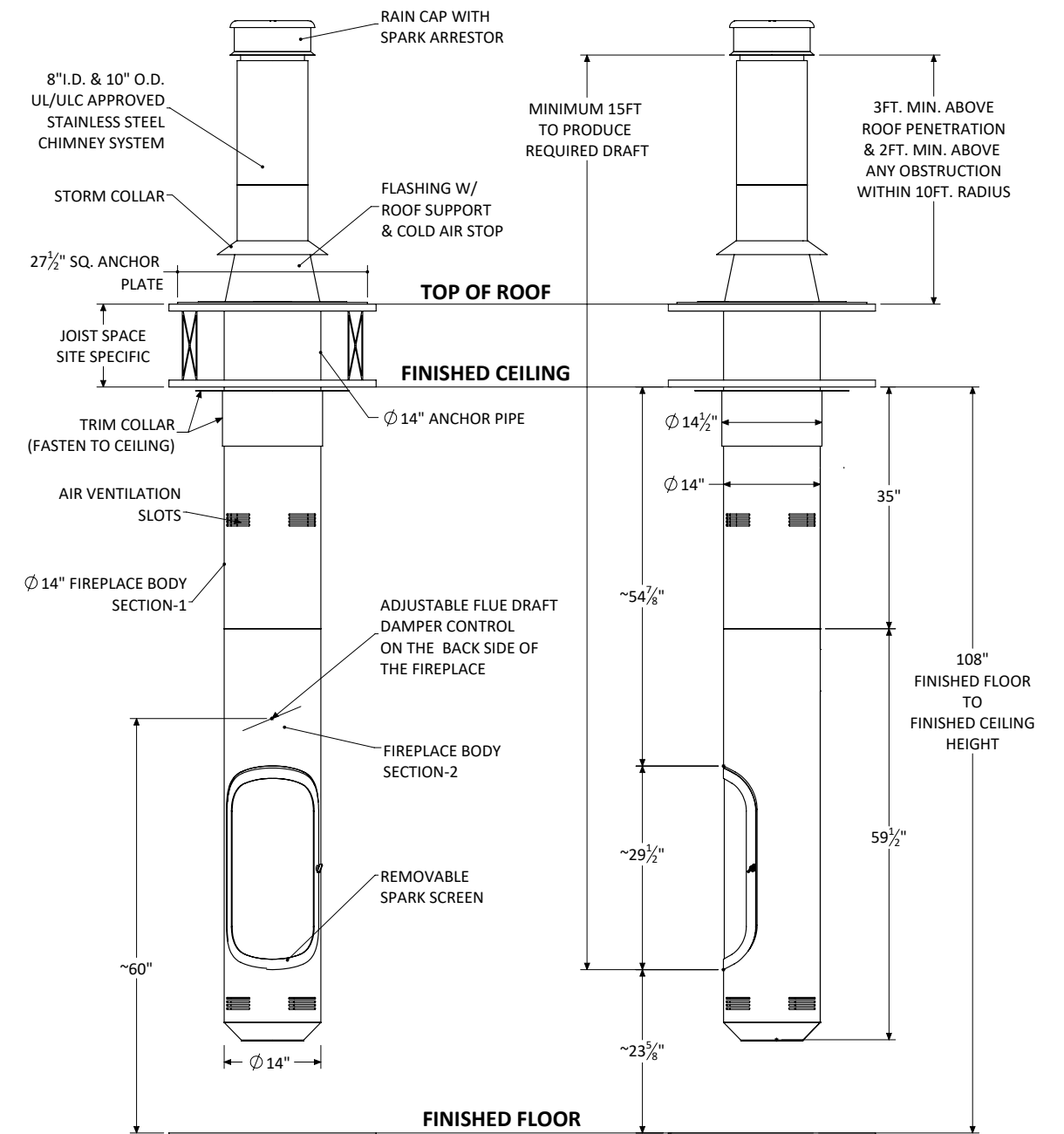
### CLEARANCE TO COMBUSTIBLES

1. A minimum of 36" from the combustible materials and/or walls around the fireplace open side and 18" around closed side is required. 36" all around if a rotation device is used.
2. 2" around the chimney system & fireplace body section-1 & 18" around Fireplace Body Section-2 is required
3. A minimum of 18" of non-combustible floor material from the fireplace opening and 8" around the rest of the fireplace close side including the portion underneath is required.
4. The bottom of the fireplace shall be at least 12" from the floor.

Standard 9ft. Ceiling Application approx. weights	
Flat Anchor	80 lbs.
Fireplace body (Section-1)	75 lbs.
Fireplace body (Section-2)	200 lbs.
<b>Total Standard Fireplace</b>	<b>355 lbs.</b>



STANDARD FLAT ANCHOR



Shown with standard 9 ft. ceiling application and flat anchor option.

# VITA | Fireplaces



\*The image shown here is for design purpose only



The fireplace has been tested and certified to meet the standards of UL 737- Standard for Fireplace Stoves. & CAN/ULC -S610 - Standard for Factory-Built Fireplace Systems. Certified Under – ICC ES PMG-1574

- For use with Solid wood fuel only.
- UL/ULC Approved Stainless Steel Chimney System
- All Standard fireplaces are painted in a High heat factory matte black finish.
- All dimensions are in inches.
- Exact measurements may vary  $\pm 1/4"$ .
- Custom integral grate assembly.
- Custom removable spark protection screen.
- Adjustable flue draft damper control.
- The height of the chimney vent must extend a minimum of 3 ft. above the roof exit & a minimum of 2ft. above any obstruction within 10ft. radius.
- A minimum of 15ft. from fireplace opening to the top of chimney is required for stronger drafts.

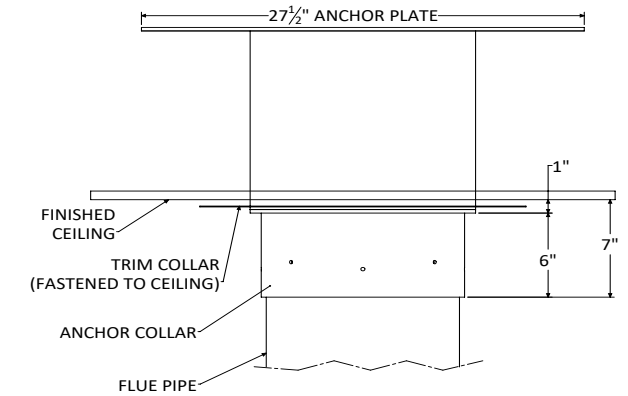
- Optional decorative chimney cover available at an add'l cost.
- Custom anchor options available at an add'l cost.

### CLEARANCE TO COMBUSTIBLES

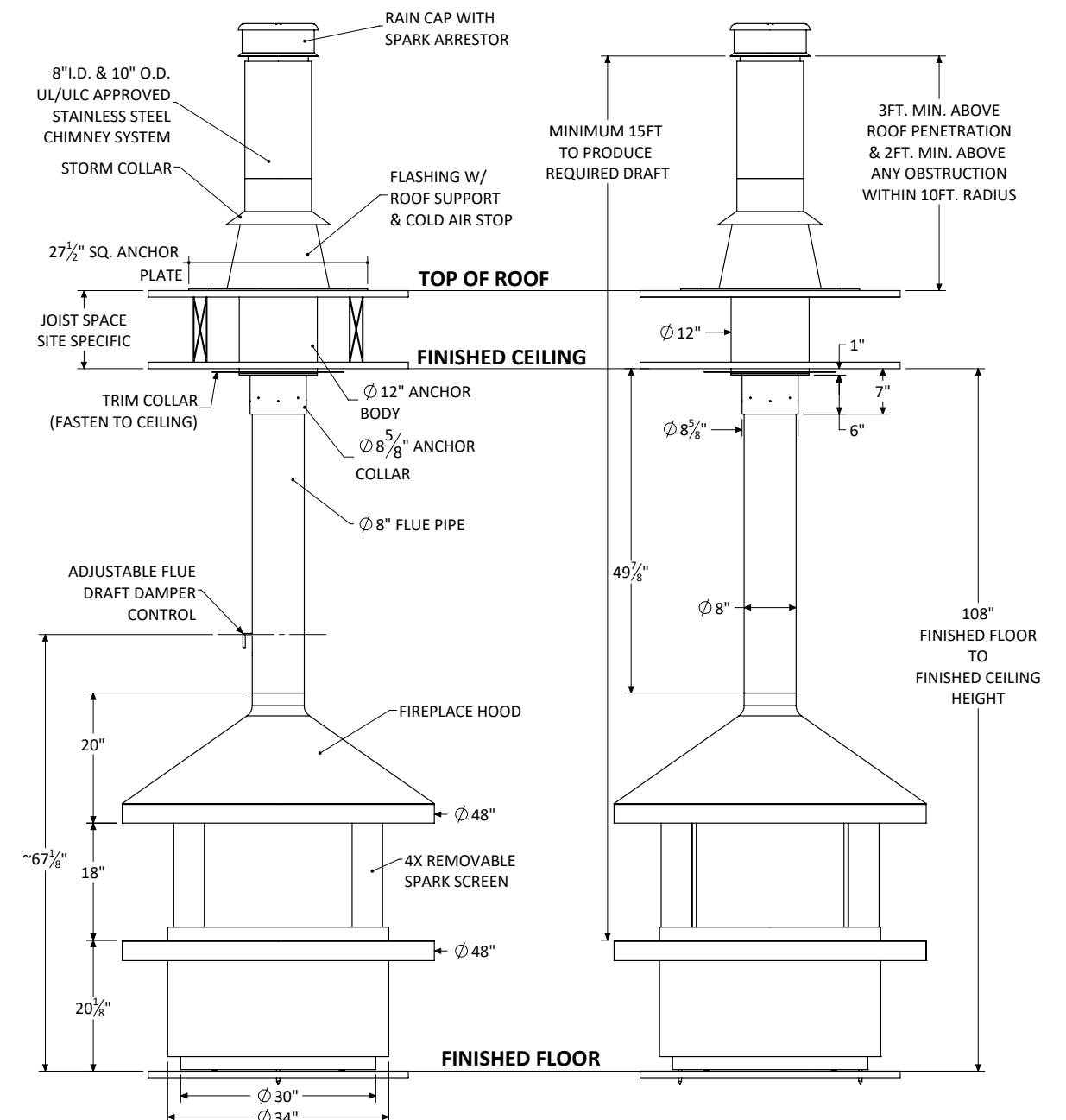
1. A minimum of 36" from the combustible materials and/or walls around the fireplace is required.
2. 2" around the chimney chimney system & 18" around flue pipe is required
3. A minimum of 18" of non-combustible floor material from the fireplace opening and 8" around the rest of the fireplace close side including the portion underneath is required.
4. The bottom lip of the fireplace opening shall be at least 22" from the floor.

# BELLA | Suspended Hood with Base Wood Burning Fireplace

Standard 9ft. Ceiling Application approx. weights	
Flat Anchor	85 lbs.
Flue Pipe & Hood	135 lbs.
Fireplace Body	275 lbs.
<b>Total Standard Fireplace</b>	<b>495 lbs.</b>



STANDARD FLAT ANCHOR



Shown with standard 9 ft. ceiling application and flat anchor option.



\*The image shown here is for design purpose only



The fireplace has been tested and certified to meet the standards of UL 737- Standard for Fireplace Stoves. & CAN/ULC -S610 - Standard for Factory-Built Fireplace Systems. Certified Under – ICC ES PMG-1574

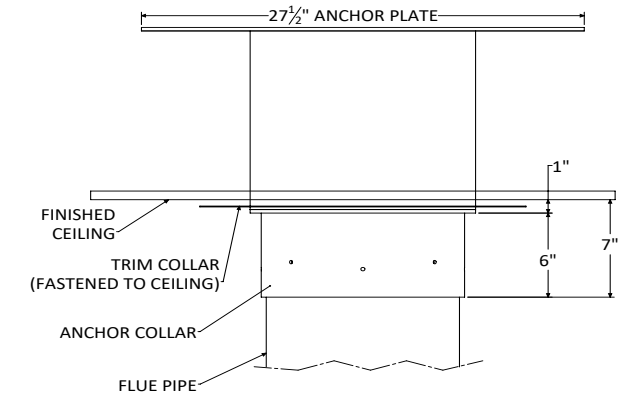
- For use with Solid wood fuel only.
- UL/ULC Approved Stainless Steel Chimney System
- All Standard fireplaces are painted in a High heat factory matte black finish.
- All dimensions are in inches.
- Exact measurements may vary  $\pm 1/4"$ .
- Custom integral grate assembly.
- Custom removable spark protection screen.
- Adjustable flue draft damper control.
- The height of the chimney vent must extend a minimum of 3 ft. above the roof exit & a minimum of 2ft. above any obstruction within 10ft. radius.
- A minimum of 15ft. from fireplace opening to the top of chimney is required for stronger drafts.

- Optional decorative chimney cover available at an add'l cost.
- Custom anchor options available at an add'l cost.

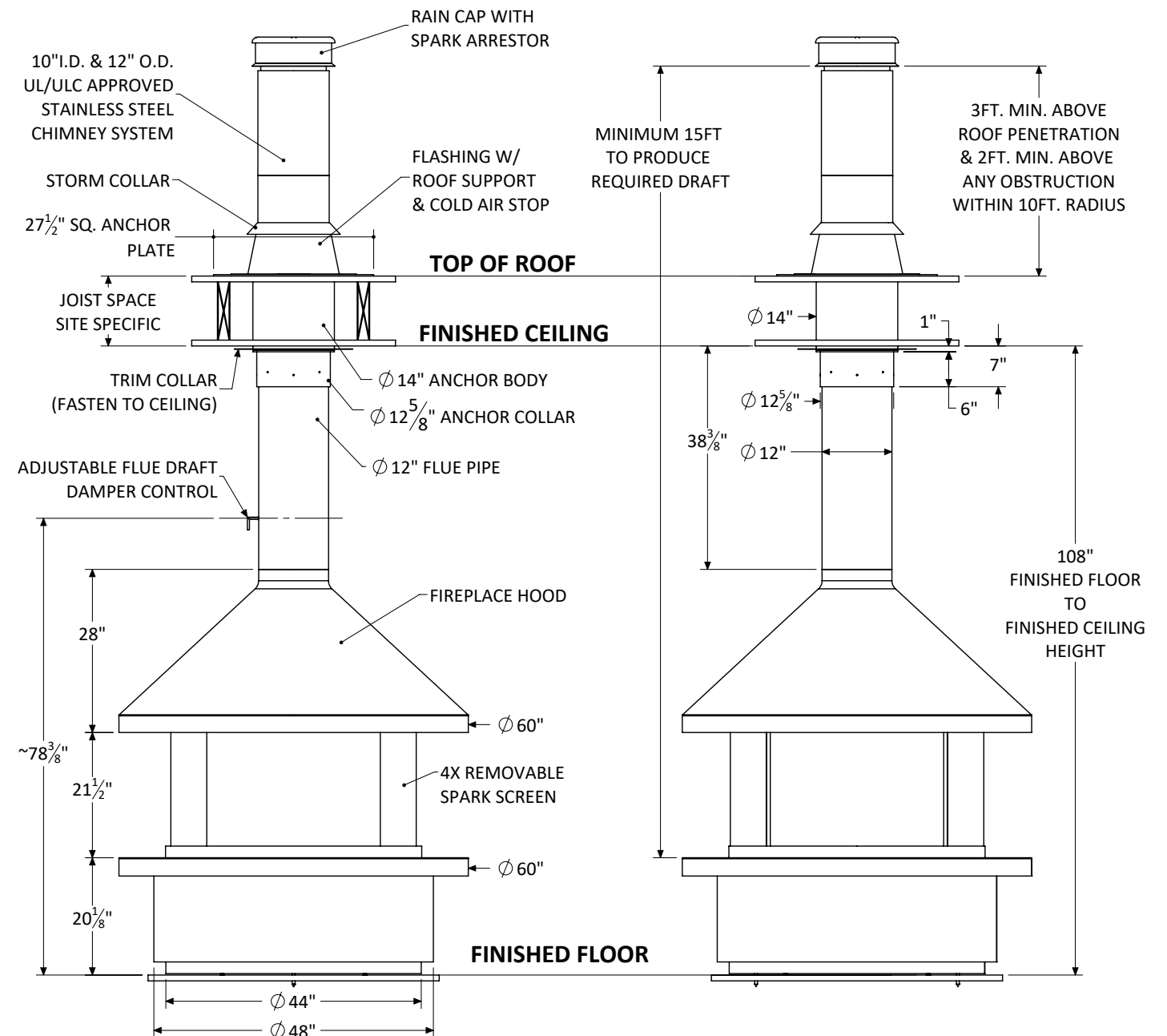
### CLEARANCE TO COMBUSTIBLES

1. A minimum of 36" from the combustible materials and/or walls around the fireplace is required
2. 2" around the chimney chimney system & 18" around flue pipe is required
3. A minimum of 18" of non-combustible floor material from the fireplace opening and 8" around the rest of the fireplace close side including the portion underneath is required.

Standard 9ft. Ceiling Application approx. weights	
Flat Anchor	100 lbs.
Flue Pipe & Hood	190 lbs.
Fireplace Body	390 lbs.
<b>Total Standard Fireplace</b>	<b>680 lbs.</b>



STANDARD FLAT ANCHOR



Shown with standard 9 ft. ceiling application and flat anchor option.



\*The image shown here is for design purpose only

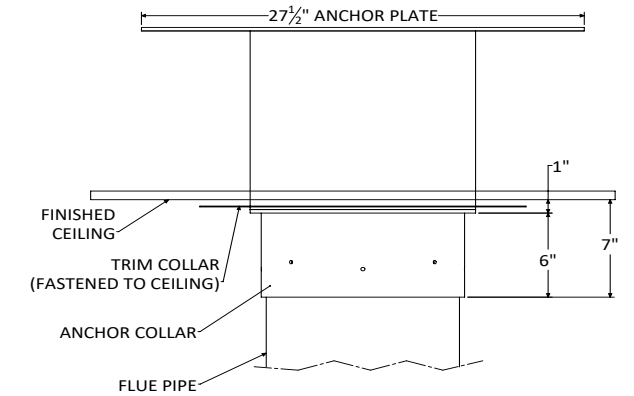


The fireplace has been tested and certified to meet the standards of UL 737- Standard for Fireplace Stoves. & CAN/ULC -S610 - Standard for Factory-Built Fireplace Systems. Certified Under – ICC ES PMG-1574

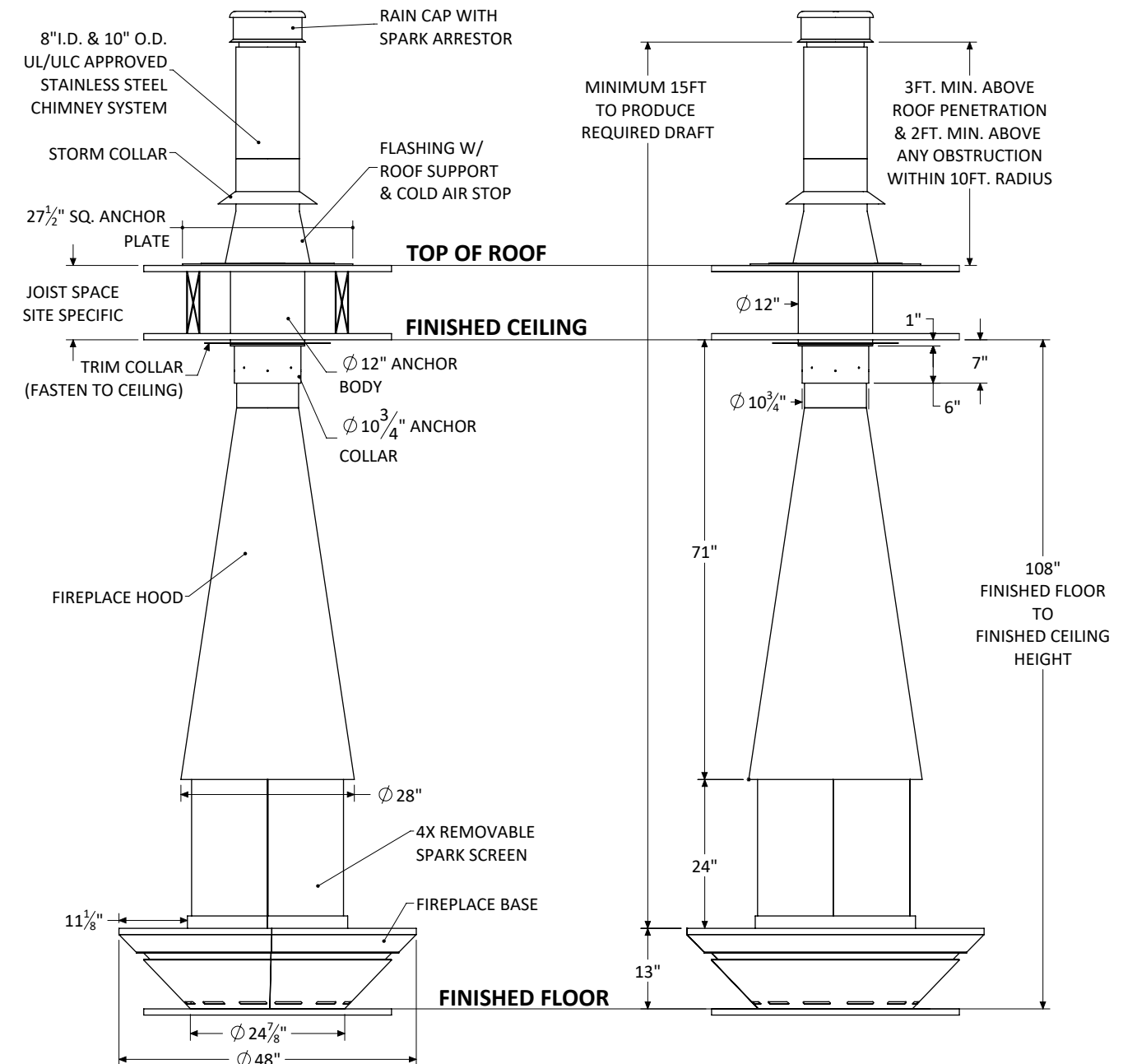
- For use with Solid wood fuel only.
- UL/ULC Approved Stainless Steel Chimney System
- All Standard fireplaces are painted in a High heat factory matte black finish.
- All dimensions are in inches.
- Exact measurements may vary  $\pm 1/4"$ .
- Custom integral grate assembly.
- Custom removable spark protection screen.
- Adjustable flue draft damper control.
- The height of the chimney vent must extend a minimum of 3 ft. above the roof exit & a minimum of 2ft. above any obstruction within 10ft. radius.
- A minimum of 15ft. from fireplace opening to the top of chimney is required for stronger drafts.

- Optional decorative chimney cover available at an add'l cost.
  - Custom anchor options available at an add'l cost.
- CLEARANCE TO COMBUSTIBLES**
1. A minimum of 36" from the combustible materials and/or walls around the fireplace is required.
  2. 2" around the chimney chimney system & 18" around flue pipe is required
  3. A minimum of 18" of non-combustible floor material from the fireplace opening and 8" around the rest of the fireplace close side including the portion underneath is required.
  4. The bottom lip of the fireplace opening shall be at least 22" from the floor.

Standard 9ft. Ceiling Application approx. weights	
Flat Anchor	60 lbs.
Flue Pipe & Hood	140 lbs.
Fireplace Body	200 lbs.
Total Standard Fireplace	400 lbs.



STANDARD FLAT ANCHOR



Shown with standard 9 ft. ceiling application and flat anchor option.





\*The image shown here is for design purpose only

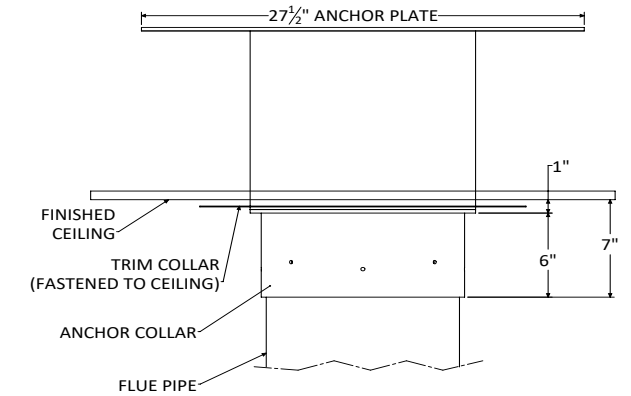


The fireplace has been tested and certified to meet the standards of UL 737- Standard for Fireplace Stoves. & CAN/ULC -S610 - Standard for Factory-Built Fireplace Systems. Certified Under – ICC ES PMG-1574

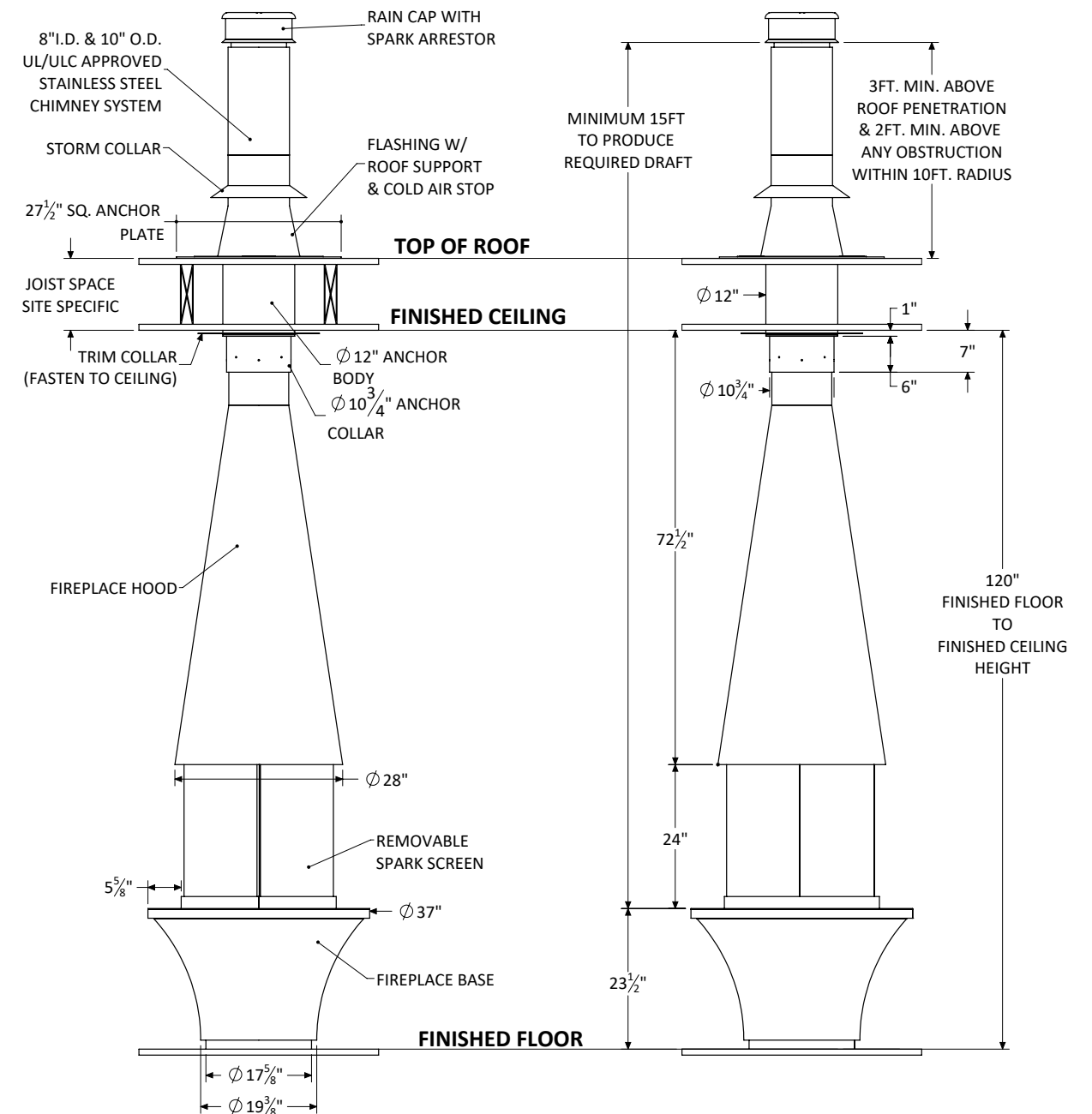
- For use with Solid wood fuel only.
- UL/ULC Approved Stainless Steel Chimney System
- All Standard fireplaces are painted in a High heat factory matte black finish.
- All dimensions are in inches.
- Exact measurements may vary  $\pm 1/4"$ .
- Custom integral grate assembly.
- Custom removable spark protection screen.
- Adjustable flue draft damper control.
- The height of the chimney vent must extend a minimum of 3 ft. above the roof exit & a minimum of 2ft. above any obstruction within 10ft. radius.
- A minimum of 15ft. from fireplace opening to the top of chimney is required for stronger drafts.

- Optional decorative chimney cover available at an add'l cost.
  - Custom anchor options available at an add'l cost.
- CLEARANCE TO COMBUSTIBLES**
1. A minimum of 36" from the combustible materials and/or walls around the fireplace is required.
  2. 2" around the chimney chimney system & 18" around flue pipe is required
  3. A minimum of 18" of non-combustible floor material from the fireplace opening and 8" around the rest of the fireplace close side including the portion underneath is required.
  4. The bottom lip of the fireplace opening shall be at least 22" from the floor.

Standard 9ft. Ceiling Application approx. weights	
Flat Anchor	60 lbs.
Flue Pipe & Hood	140 lbs.
Fireplace Body	200 lbs.
Total Standard Fireplace	400 lbs.



STANDARD FLAT ANCHOR



Shown with standard 10 ft. ceiling application and flat anchor option.

# VITA | Fireplaces

## Suspended Wood Burning Collection

North American Designed and Manufactured by  
CF + D | custom fireplace design

VITA Fireplaces models are available in exclusive Single-Sided, See-Thru, Double-Sided and Triple-Sided views allowing the flame to be viewed from all angles.

Each unique Wood burning suspended fireplace is certified for North America. They are also available in natural gas or propane and with our Vapor-Fire technology burner system, water fueled/electric. With fuel options available and the variety of styles we have created, our clients now have an alternative fire feature to fit into many projects whether residential, commercial or hospitality sector.

Included with the purchase of a VITA Fireplaces Suspended Wood burning model are the following:

- Custom integral grate assembly.**
- Flue length for a Standard 9ft Ceiling**
- Standard Flat Anchor Plate**
- Custom removable spark protection screen.**
- High Heat Factory Matte Black Paint Finish**

There are a number of premium decor paint option choices displayed in this booklet. We hope this is helpful in making your selection to personalize your unique fireplace choice.

Please contact us to begin your next project.



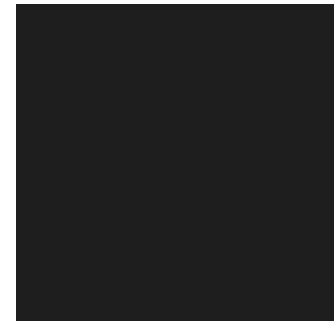
Our creative design solutions are waiting!

\*Some options outside of standard inclusions are available at an additional cost.

# VITA | Fireplaces collection

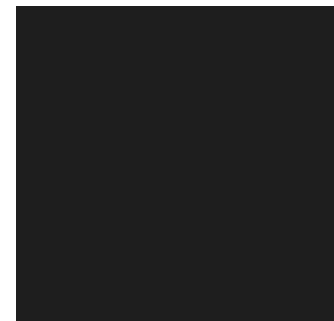
## Wood Burning Fireplace Paint Finishes

ALL STANDARD PRICED MODELS PAINT  
FINISHED FACTORY MATTE BLACK

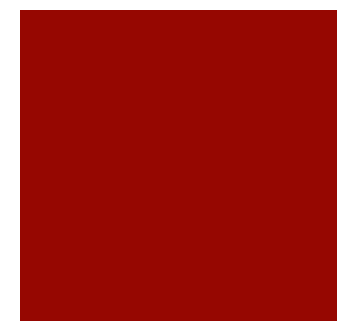


RAL9017 Traffic

### CUSTOM GLOSS PAINT FINISH



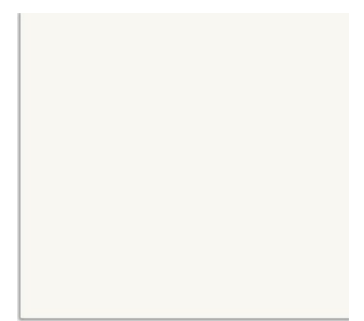
RAL9017 Traffic



RAL3002 Carmine Red

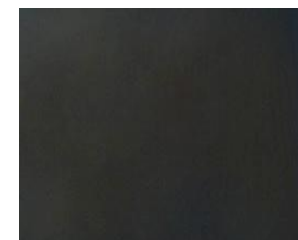


RAL7011 Iron Grey



RAL9010 Pure White

### CUSTOM PATINA FINISHES



Slate Black



Japanese Brown



Black Magic



Vista Brown

All standard priced models paint finished factory matte black  
Custom gloss colors and custom patina finishes shown are available for \$2,495.00.  
All other custom colors and finishes are available for \$3,495.00

CF + D | custom fireplace design  
[www.customfireplacedesign.com](http://www.customfireplacedesign.com)  
1-866-909-3070

# CF + D | custom fireplace design

5230 Harvester Rd. Unit # 2, Burlington, ON, L7L 4X4

1.866.909.3070

[www.customfireplacedesign.com](http://www.customfireplacedesign.com)