

# VENTIL-ART 67

## VENTIL-ART 67 WOODBOX

### (VT67-V3)



A

#### Ventil-Art - Ecological combustion - Sealed device

VT67V3-AC-BN / VT67V3-AC-DM / VT67V3-AC-VR	Steel door
VTWB-67V3-AC-BN / VTWB-67V3-AC-DM / VTWB-67V3-AC-VR	Steel door Woodbox
VT67V3-NL-BN / VT67V3-NL-DM / VT67V3-NL-VR	New look door
VTWB-67V3-NL-BN / VTWB-67V3-NL-DM / VTWB-67V3-NL-VR	New look door Woodbox

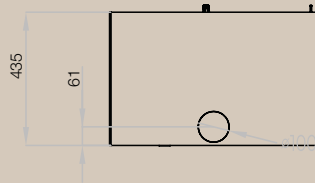
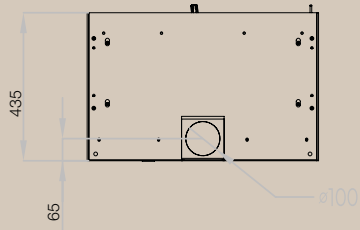
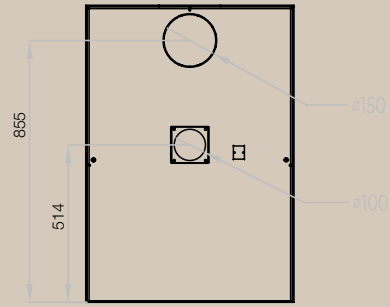
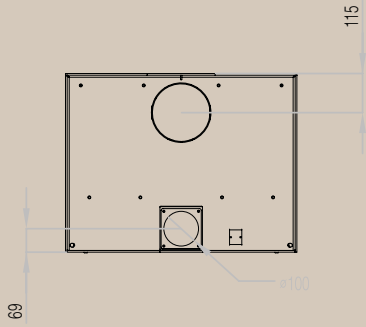
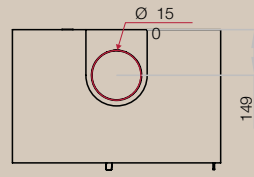
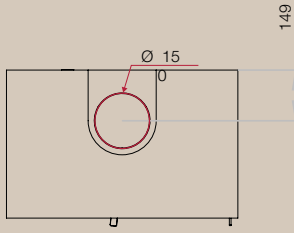
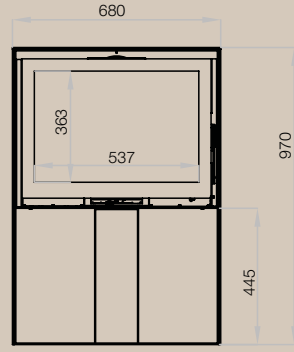
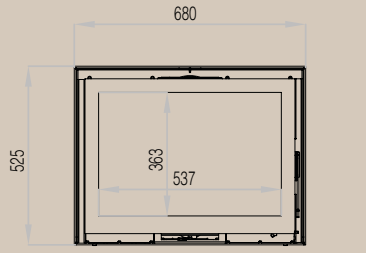
kW	Rendement %	CO (mg/Nm <sup>3</sup> )	COG (mg/Nm <sup>3</sup> )	Poussière (mg/Nm <sup>3</sup> )	NOX (mg/Nm <sup>3</sup> )	e <sub>l_max</sub> (kw)	e <sub>l_min</sub> (kw)	e <sub>l_sb</sub> (kw)
8-10	78	1125	91	15	38	0	0	0

#### Options

Reserve door fitting
Interior : vermiculite (VE) <u>or</u> black concrete (BN) <u>or</u> metal decoration (DM)
Suspension kit

#### Caractéristiques

Manual air inlet adjustment - external air intake Ø 100 mm possible - vermiculite baffle - ember stop - with ventilation - vermiculite interior - Smoke outlet top or rear  
 Real view of fire (mm) - 537 x 363



NOTES:

---



---



---



---



---



---



---



---



---



---