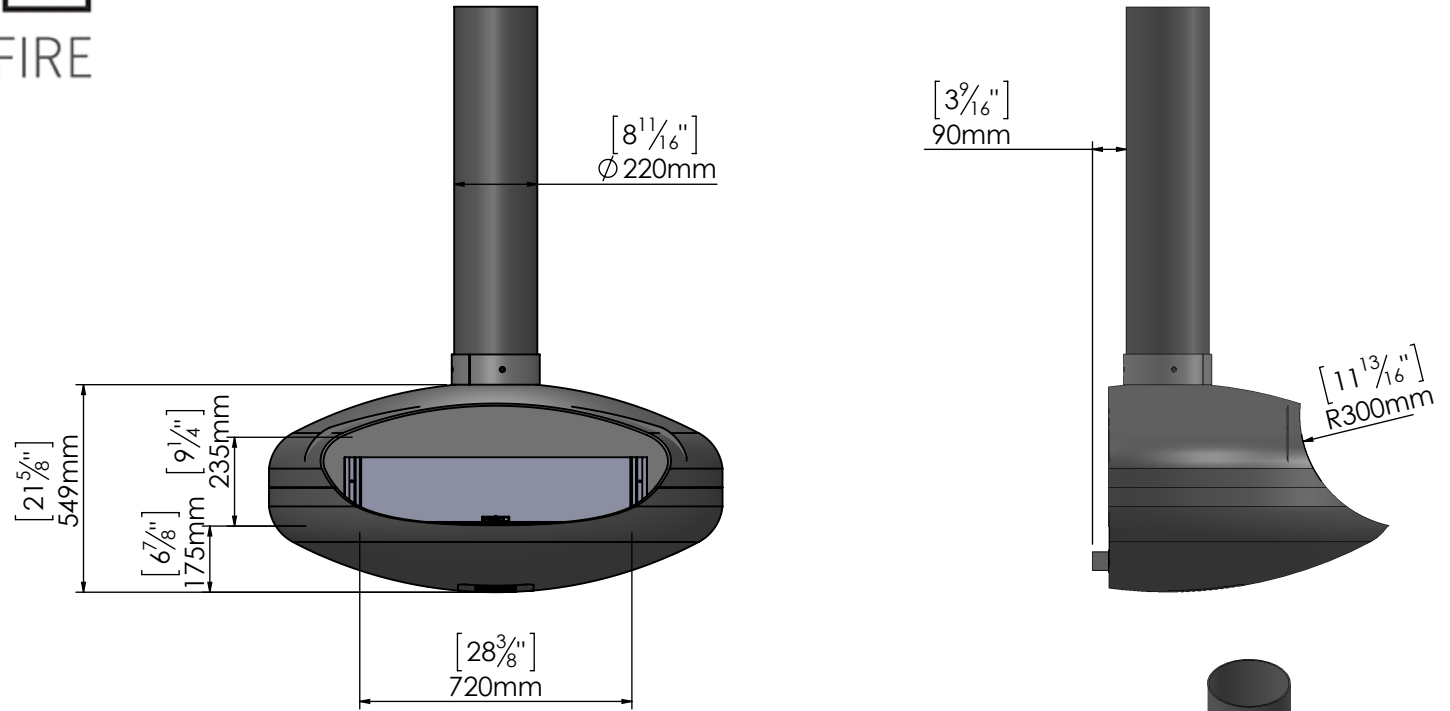
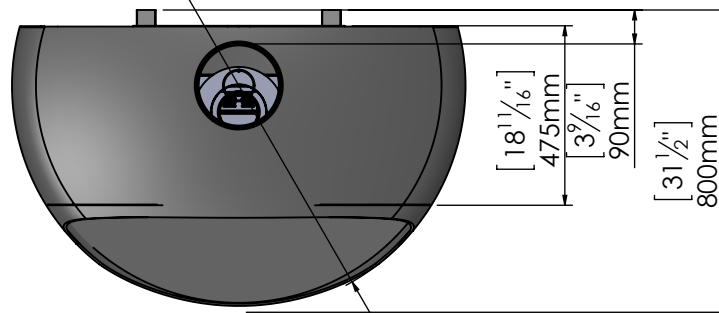


**OVAL 120**  
WALL MOUNTED  
FRONT



Service door



$\Phi$   $[47\frac{1}{4}"]$   
1200mm



FirePlace weight : 200Kg  
Weight of every meter of chimney: 20Kg