

MODUL-ART 16/9



Modul-Art – Natural convection - Ecological combustion - Sealed device

Steel door or new look door Without ventilation	Réf.	Ventil.	kW	
Modul-art 16/9 - new look door - vermiculite - 101x52,5x48,5	MD16/960NL	without	11 - 13	A+
Modul-art 16/9 - steel door - vermiculite - 101x52,5x48,5	MD16/960	without	11 - 13	A+

Real view of fire - L 852 mm - H 324 mm

Option

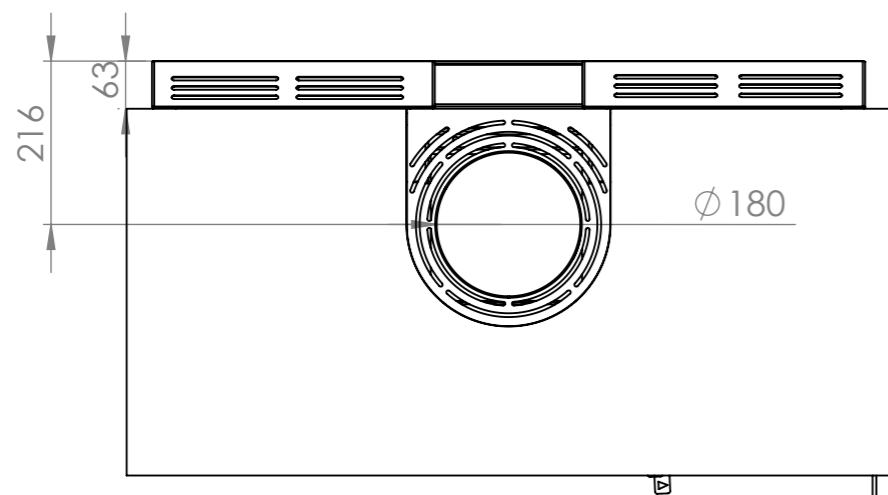
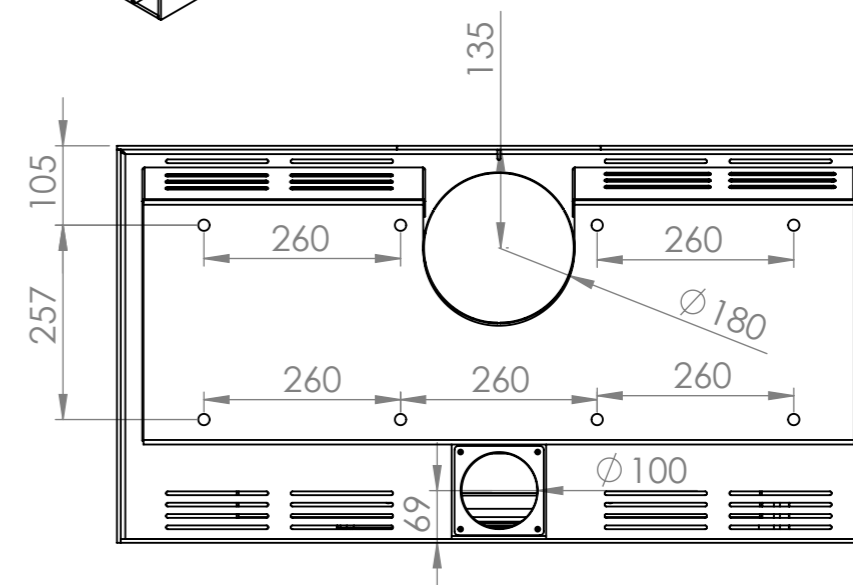
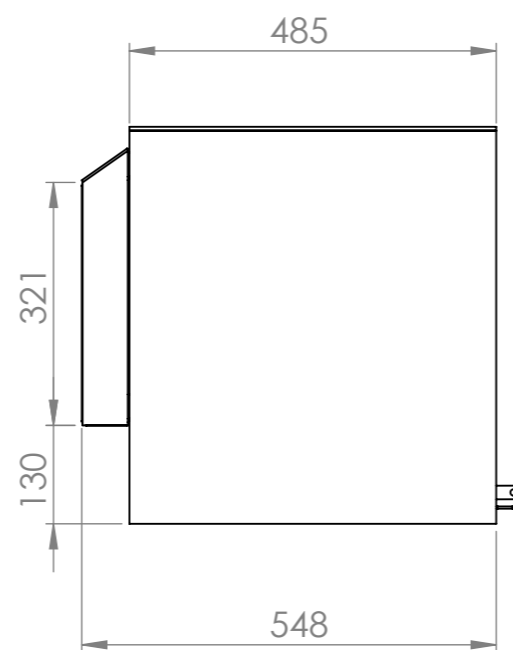
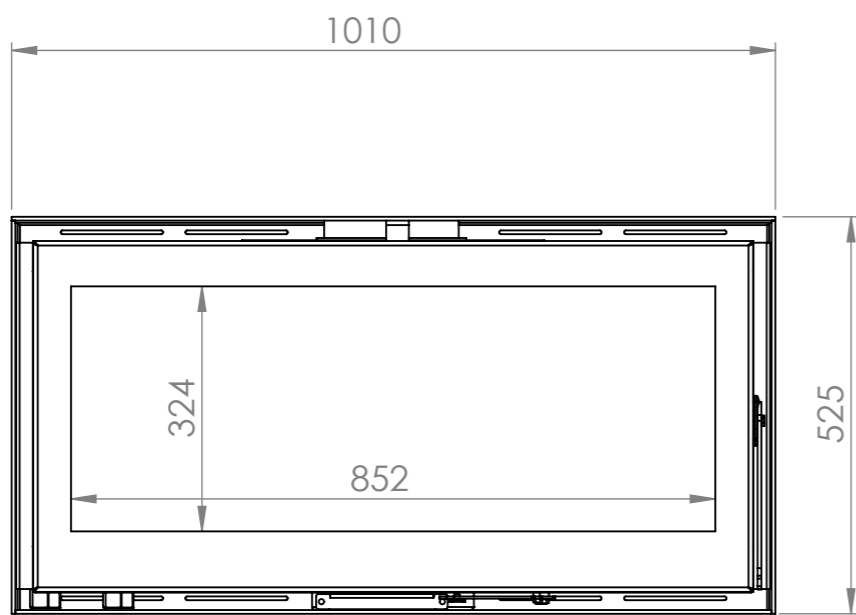
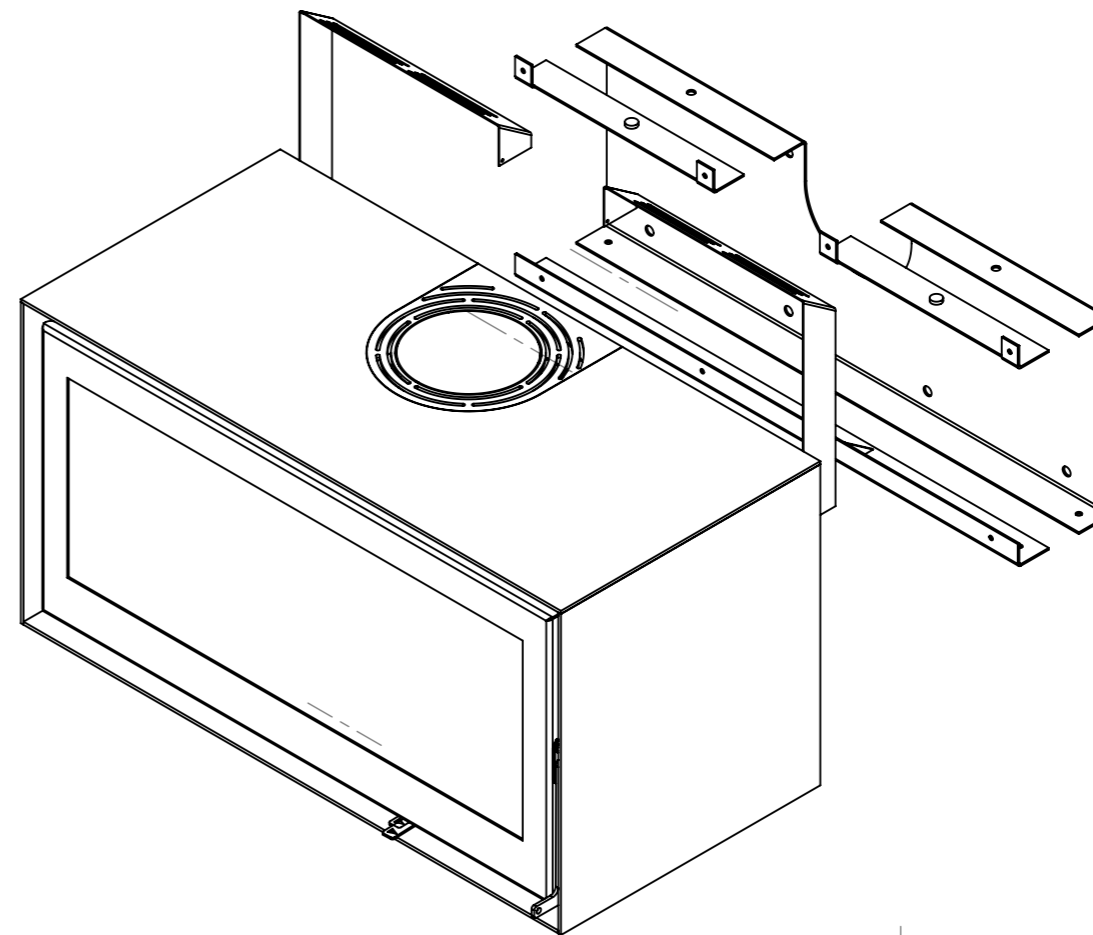
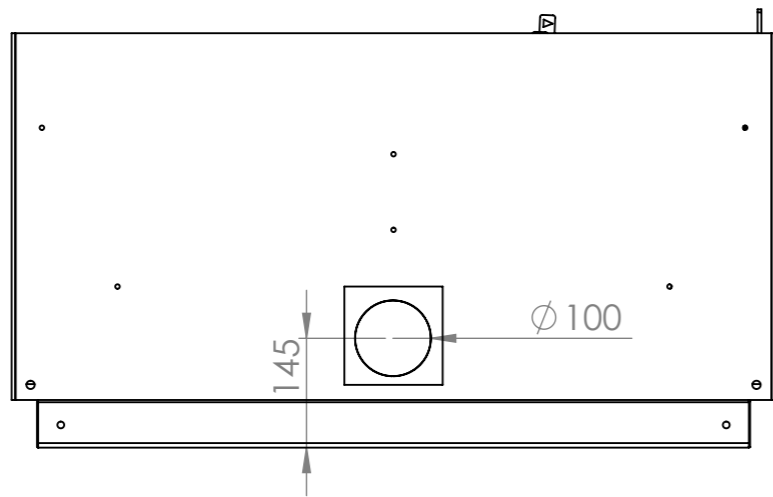
Suspension kit

Interior vermiculite painted black

Included

Steel/New Look door - manual adjustment - external air intake Ø 100 mm - baffle(s) - stop embers - natural convection - vermiculite interior - colour antracite - choice of male back or top smoke outlet





SAUF INDICATION CONTRAIRE: LES COTES SONT EN MILLIMETRES ETAT DE SURFACE: TOLERANCES: LINEAIRES: ANGULAIRES:		FINITION:		CASSER LES ANGLES VIFS		NE PAS CHANGER L'ECHELLE		REVISION	
AUTEUR NDR		SIGNATURE		DATE 24-10-16		TITRE: Modul-art 16-9 + kit de suspension			
VERIF.		APPR.		FAB.		MATERIAU: ACIER 5 mm		No. DE PLAN MD5-16-9+KSUM-MD16-9	
QUAL.		MASSE:		ECHELLE:1:10		A3 FEUILLE 1 SUR 1			